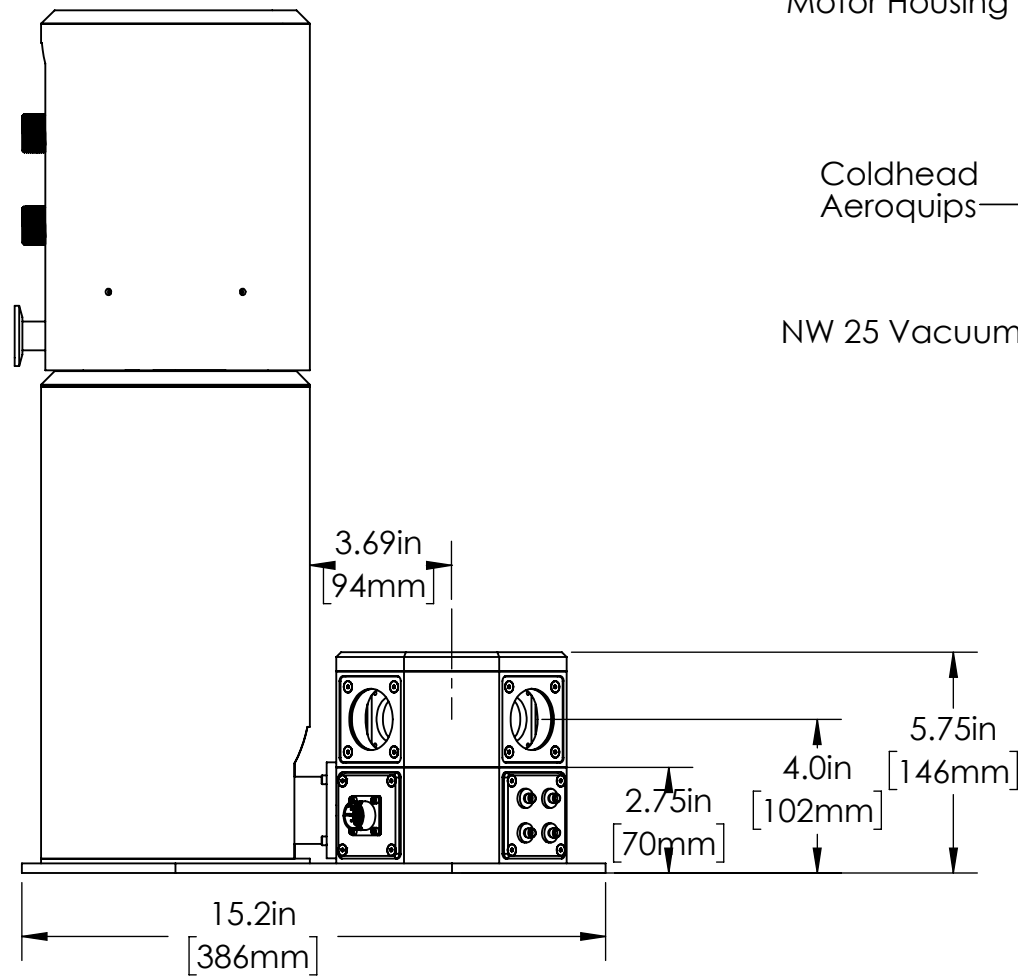


Sample Plate Height
2.925in
[74.3mm]



Motor Housing Cover

Coldhead
Aeroquips

NW 25 Vacuum Port

22.5in
[571mm]

3.69in
[94mm]

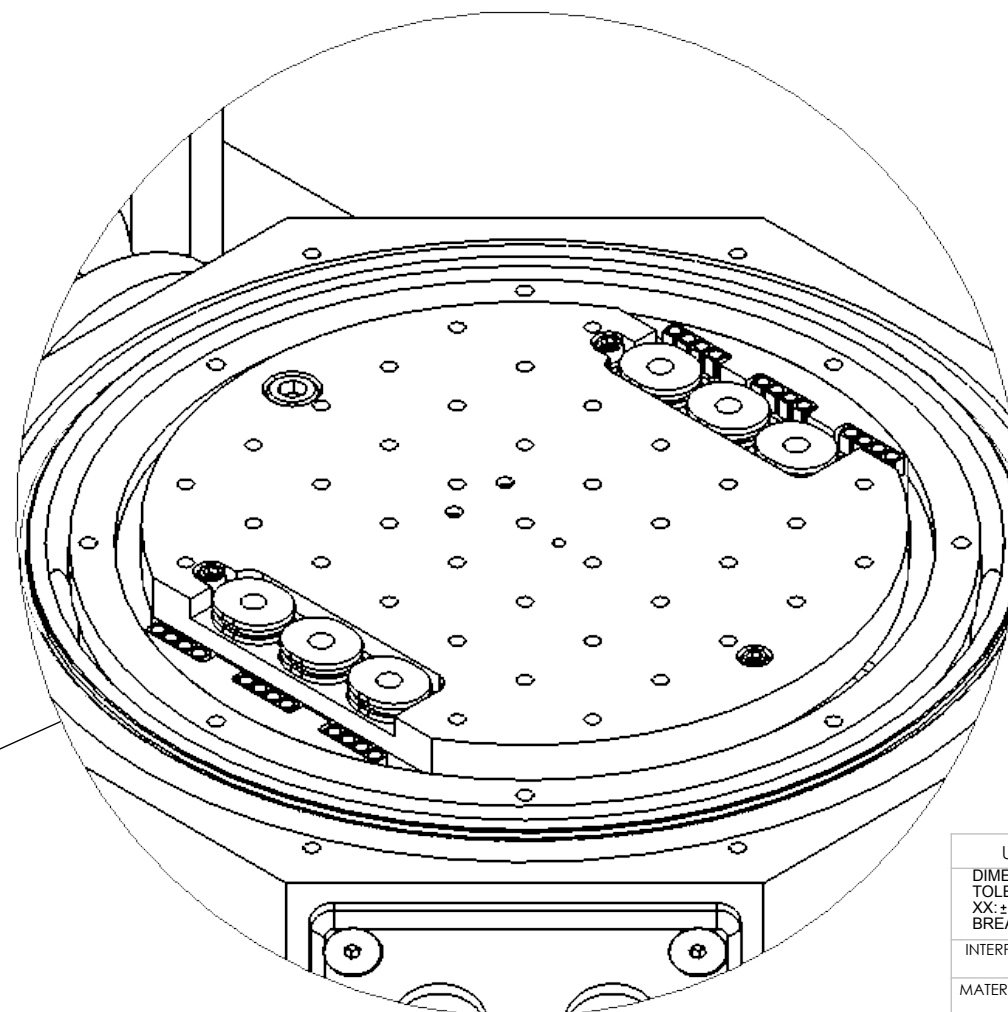
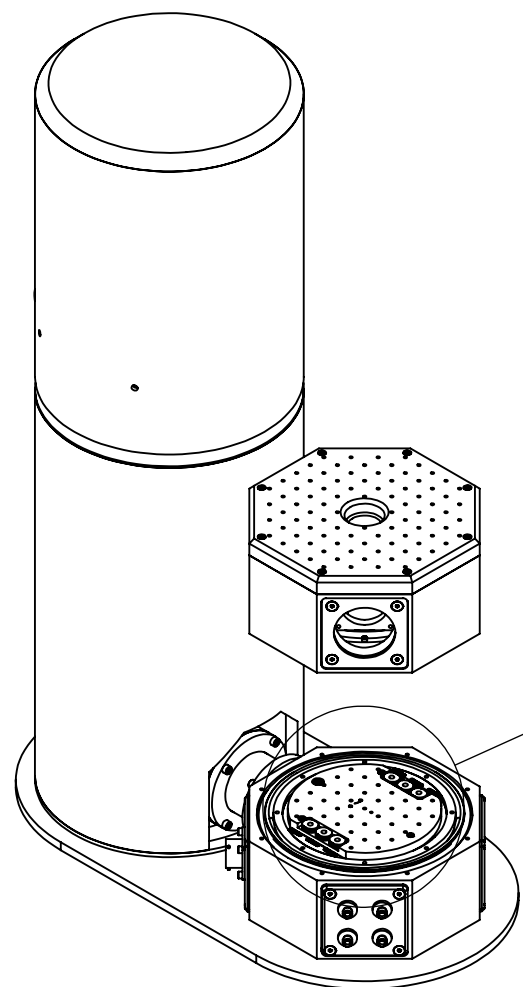
5.75in
[146mm]

4.0in
[102mm]


2.75in
[70mm]

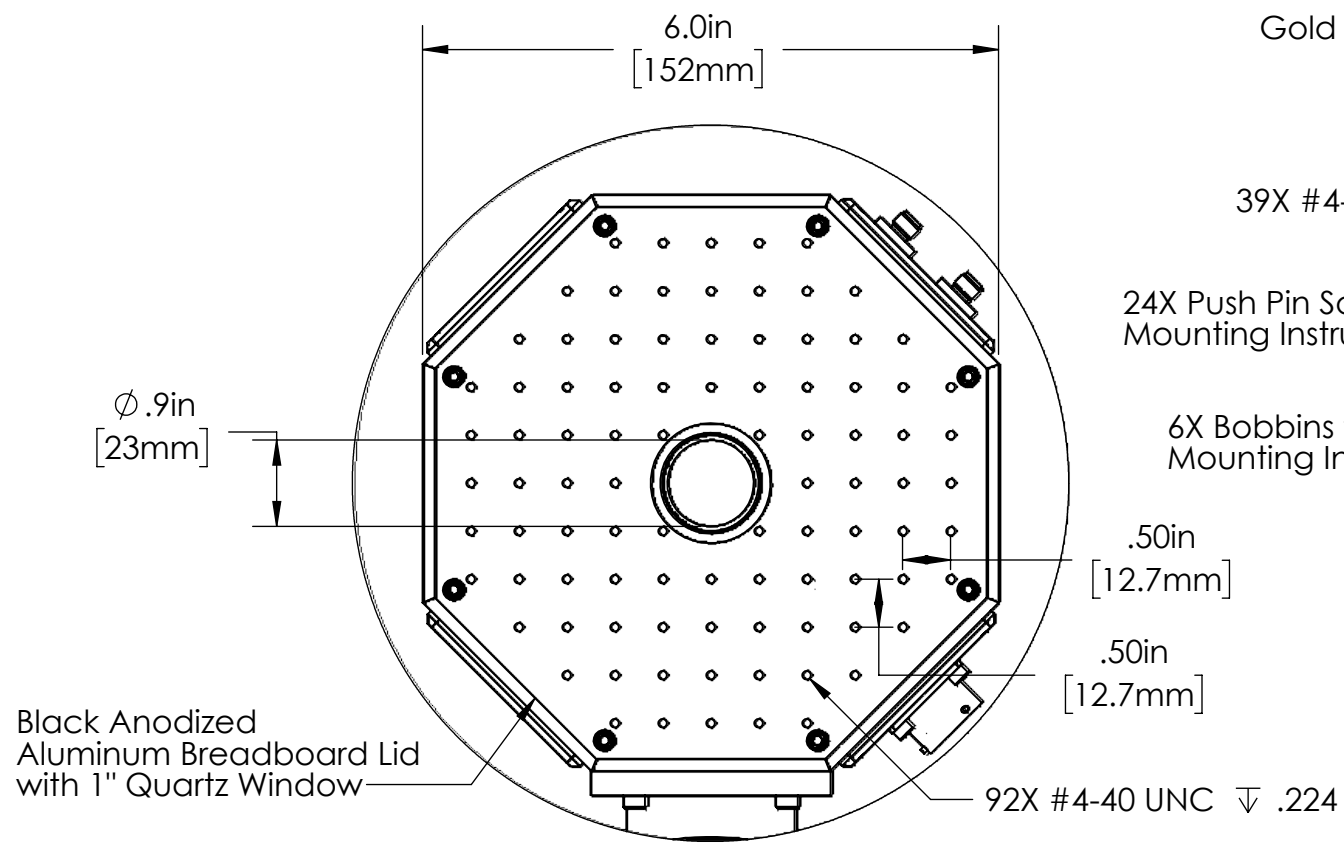
15.2in
[386mm]

Ø 8.0in
[203mm]

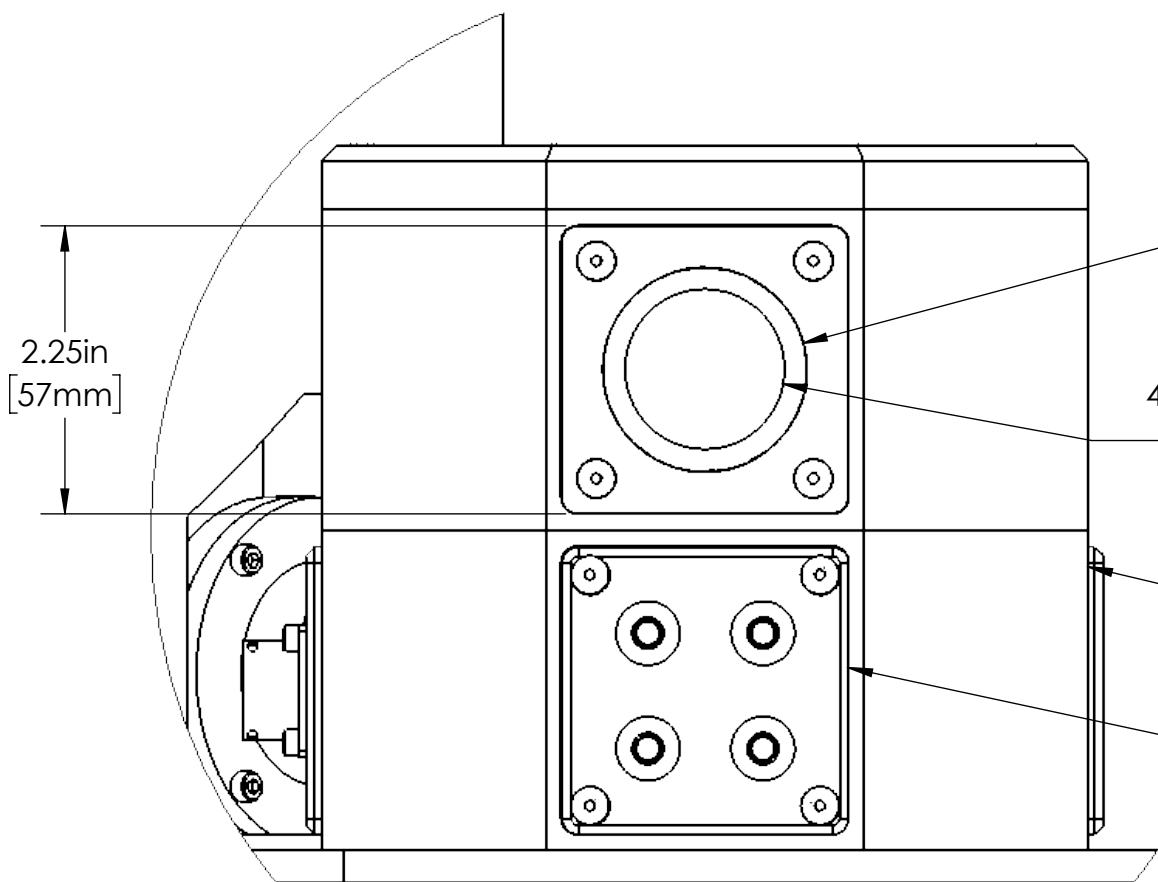


Sample Area Detail

UNLESS OTHERWISE SPECIFIED: DIMENSIONS ARE IN INCHES TOLERANCES: XX: ±0.030, XXX: ±0.005, ANGULAR: ±1° BREAK ALL SHARP CORNERS 0.01R MAX		NAME	DATE	 Advanced Research Systems, Inc. 7476 Industrial Park Way Macungie, PA 18062, USA Tel: (610) 967-2120, Fax: (610) 967-2395
INTERPRET GEOMETRIC TOLERANCING PER: ANSI/ASME Y14.5-1994		DRAWN MIKE	11-08-18	
MATERIAL	Noted	CHECKED		TITLE: System, μ Drift
FINISH	Micro inches Ra All Surfaces	REVISED		SIZE B DWG. NO. 178004-C1 REV 0
				SHEET 1 OF 2



Sample Chamber Top Detail



Sample Chamber Side Detail

Gold Plated Sample Plate
 ϕ 4.0in
 [102mm]

39X #4-40 UNC THRU

24X Push Pin Sockets for Thermally
 Mounting Instrumentation

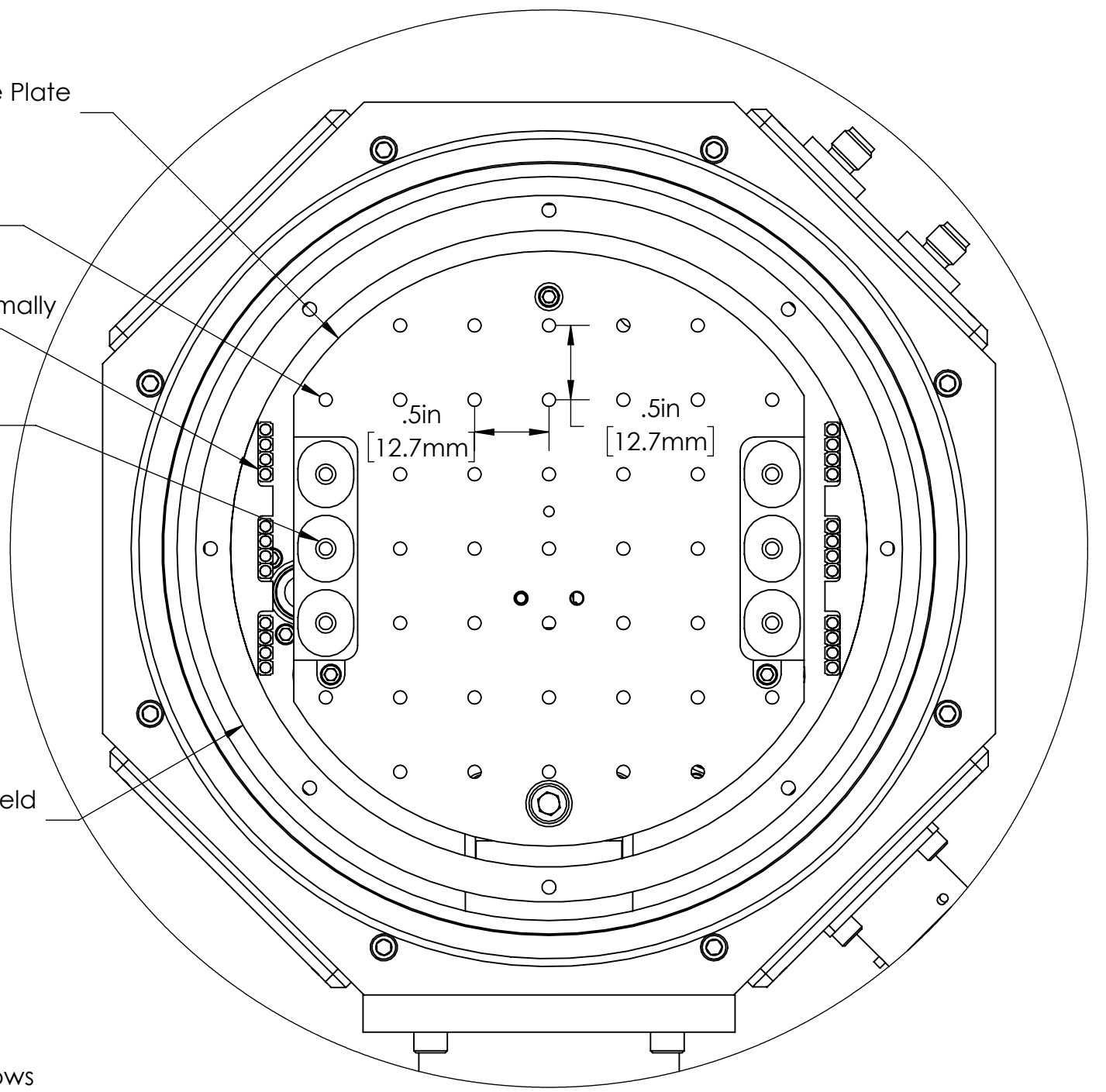
6X Bobbins for Thermally
 Mounting Instrumentation

.50in
 [12.7mm]

.50in
 [12.7mm]

92X #4-40 UNC ∇ .224

Gold Plated Radiation Shield
 ϕ 4.75in
 [121mm]




Open Sample Chamber Top Detail

4X 90° 2" Quartz Windows
 Clear View:
 ϕ 1.60in
 [41mm]

4X 90° 1.5" Sapphire Cold Windows
 Clear View:
 ϕ 1.25in
 [32mm]

Black Anodized Aluminum
 Chamber and Feedthrough
 Mounts

4X 90° Instrumentation
 Feedthrough

UNLESS OTHERWISE SPECIFIED: DIMENSIONS ARE IN INCHES TOLERANCES: XX: ±0.030, XXX: ±0.005, ANGULAR: ±1° BREAK ALL SHARP CORNERS 0.01R MAX		NAME MIKE	DATE 11-08-18	 Advanced Research Systems, Inc. 7476 Industrial Park Way Macungie, PA 18062, USA Tel: (610) 967-2120, Fax: (610) 967-2395		
INTERPRET GEOMETRIC TOLERANCING PER: ANSI/ASME Y14.5-1994		CHECKED	REVISED		TITLE: System, μ Drift	
MATERIAL Noted	PROPRIETARY AND CONFIDENTIAL THE INFORMATION CONTAINED IN THIS DRAWING IS THE SOLE PROPERTY OF ADVANCED RESEARCH SYSTEMS, INC. ANY REPRODUCTION IN PART OR AS A WHOLE WITHOUT THE WRITTEN PERMISSION OF ADVANCED RESEARCH SYSTEMS, INC. IS PROHIBITED.			SIZE B	DWG. NO. 178004-C1	REV 0
FINISH Micro inches Ra All Surfaces				SHEET 2 OF 2		